

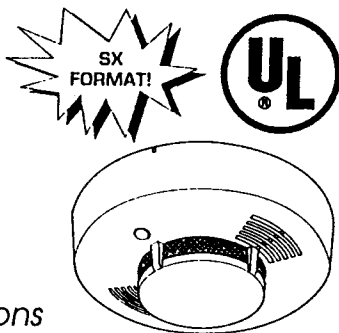
TSD-90

SUPERVISED DIGITAL SMOKE DETECTOR

Installation Instructions

Linear

(619) 438-7000 • FAX (619) 438-7043
USA & Canada (800) 421-1587 & (800) 392-0123
Toll Free FAX (800) 468-1340



DESCRIPTION The TSD-90 is a high quality, photoelectric smoke detector with a built-in supervised digitally-coded radio transmitter. The TSD-90 is supervised to monitor alarms, restorals, low battery, status, tamper, and test conditions. The TSD-90 transmitter is compatible with any Linear SX format supervised security receiver.

The TSD-90 sounds a local alarm as soon as smoke is detected. Twenty seconds after the local alarm sounds, the TSD-90's transmitter will send an alarm signal to the supervised receiver. The alarm signal will be repeated every 20 seconds as long as smoke is still present. A restoral report will be sent when the smoke detection chamber clears.

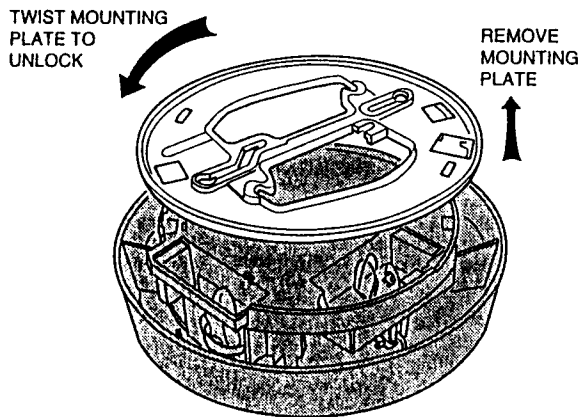
Supervisory status reports are sent from the TSD-90 every hour.

Coding switches are not required or used in the TSD-90. Each transmitter is pre-coded at the factory to a unique code. With the SX format, there are more than sixteen million codes possible.

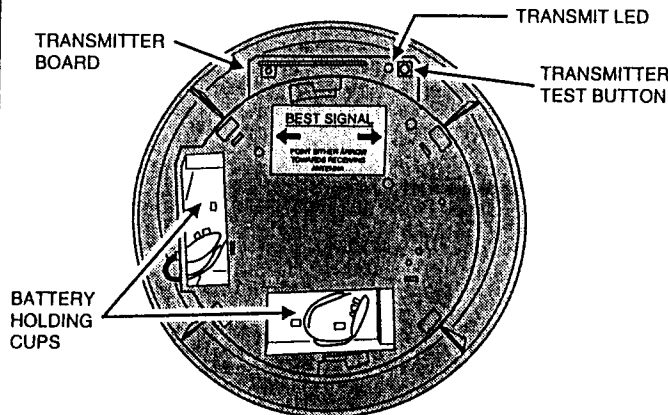
The smoke detector and transmitter are powered by two 9-volt batteries. These batteries are supplied with the transmitter and can power the unit for up to two years. If the battery voltage drops below a preset level, a low battery report is sent to the receiver with any status, alarm, tamper or test transmission.

NOTE: After replacing batteries, press transmitter test button to reset "low battery circuit".

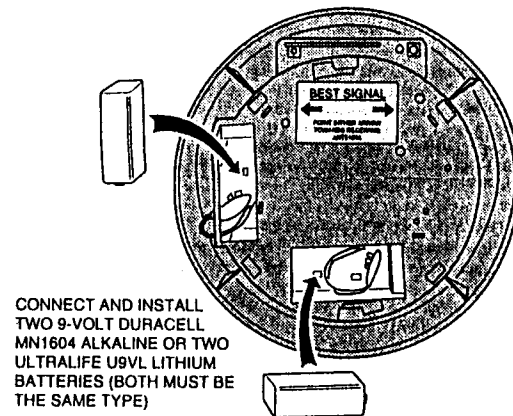
STEP 1 Remove mounting plate. Remove the TSD-90 mounting plate by turning the plate counterclockwise.



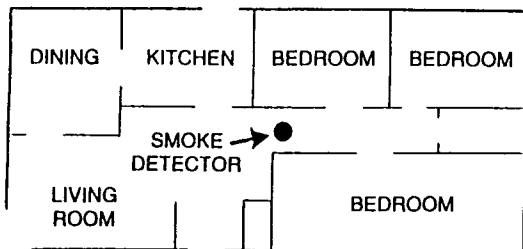
STEP 2 Identify components. Examine the TSD-90 to identify the component locations.



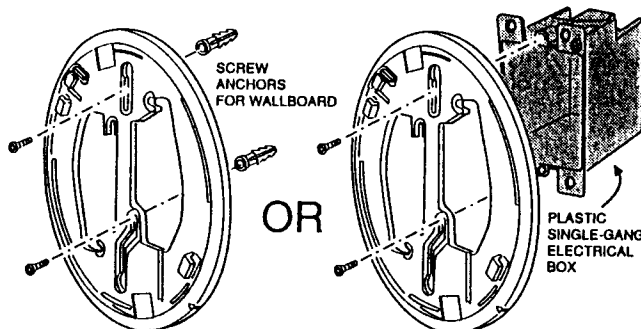
STEP 3 Install batteries. Connect the two 9-volt batteries and place them into battery holding cups.



STEP 4 Pick smoke detector location. Referring to the NFPA standard on the back of this sheet, select a good location to mount the TSD-90. Mounting the TSD-90 on foil-backed wallpaper or on a metal single-gang electrical box is not recommended because the radio range will be reduced.



STEP 5 Install mounting plate. Use the two screws and anchors provided to attach the mounting plate to the wall or ceiling. Alternately, the mounting plate can be attached to a plastic single-gang electrical outlet box. For the best radio range, observe the "best signal" label on the bottom of the unit.



STEP 6 Program TSD-90 into receiver and test. Follow the receiver's instructions to set it in a program or learn mode. Press the TSD-90's transmitter test button (not the smoke detector's test button) to send a test signal. The transmit LED should light. Verify that the signal was received and that the transmitter was properly entered into the receiver's memory.

